



Ball Valve Shut-Off for Measuring Device*

for Sensors with Screw Thread G 1/4 and G 1/2



measuring
•
monitoring
•
analysing



- pmax. PN 25
 - tmax. +120 °C
 - Connections: Rp 1/2 to Rp 2
 - Sensor thread:
G 1/4 and G 1/2 as per DIN 3852
 - Sensor replacement possible
without draining the piping
 - No other ball valve required
 - Integrated sensor mounting –
the shut-off and the sensor
are all in one unit
 - Space-saving compact design
- *supplied without sensor



KOBOLD companies worldwide:

ARGENTINA, AUSTRIA, BELGIUM, CANADA, CHILE, CHINA, CZECHIA,
FRANCE, GERMANY, GREAT BRITAIN, INDIA, INDONESIA, ITALY,
MALAYSIA, MEXICO, NETHERLANDS, POLAND, SINGAPORE, SLOVAKIA,
SPAIN, SWITZERLAND, THAILAND, USA, VENEZUELA, VIETNAM

KOBOLD Messring GmbH
Nordring 22-24
D-65719 Hofheim/Ts.
☎ +49(0)6192 299-0
Fax +49(0)6192 23398
E-Mail: info.de@kobold.com
Internet: www.kobold.com

Model:
KUG-S

Application

When used in conjunction with our KUG-S ball valve shut-offs for measuring devices, KOBOLD sensors for measuring such variables as pressure, temperature or flow can be installed as part of a compact unit in pipe systems. This system allows easy and economical sensor removal for maintenance or replacement without having to drain the pipe system.

This shut-off valve features a large ball with a groove that holds the sensor. This design allows sensors of the same length to be installed in valves of different nominal diameters.

Design

Threaded construction with full-bore.

Technical Details

Process connections: female thread Rp 1/2 to Rp 2 (DIN 2999)

Sensor thread: G 1/4 and G 1/2 (DIN 3852)

Temperature range: max. +120°C

Nominal pressure: PN 25

Operation: 90° rotation of handle

Materials

Body: brass, nickel-plated

Ball: brass, chrome-plated

Ball gasket: PTFE, pure

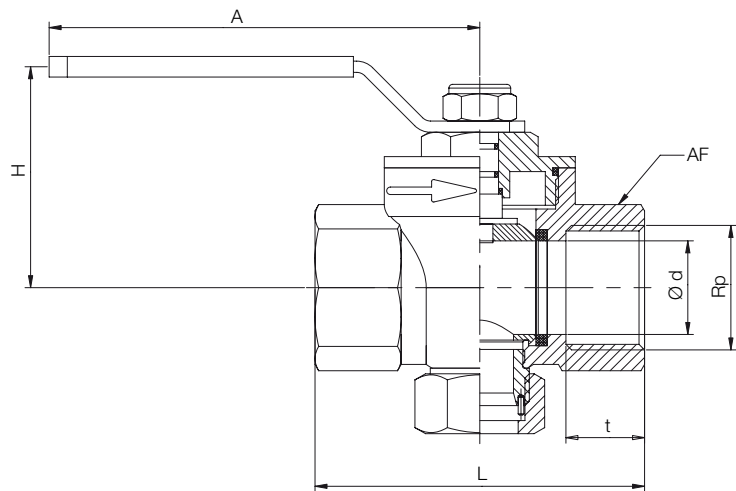
Spindle gasket: EPDM

Handle: steel, zinc-coated with PVC-grip, red

Scope of supply

Shut-off for measuring device, sealing plug and gasket

KUG-S



Dimensions and Order Details (example: KUG-S1R 15)

Weight [Rp]	Order no. Sensor G 1/4	Order no. Sensor G 1/2	DN [mm]	Ø d [mm]	L [mm]	t [mm]	H [mm]	AF [mm]	A [mm]
1/2	KUG-S1R 15	KUG-S2R 15*	15	20	90	18	50	32	95
3/4	KUG-S1R 20	KUG-S2R 20	20	20	73	18	50	32	95
1	KUG-S1R 25	KUG-S2R 25	25	25	88	21	59	41	115
1 1/4	-	KUG-S2R 32	32	32	100	24	65	50	115
1 1/2	-	KUG-S2R 40	40	40	110	24	77	54	150
2	-	KUG-S2R 50	50	50	131	28	85	70	150

*equal to KUG-S2R20 with reducer to Rp 1/2